

## Topic Selection Worksheet

Name: \_\_\_\_\_

### Checklist: Circle your response.

1. The solution I am proposing is unique. I have checked one of the patent websites, and I am confident that my device is unique.  
**Yes/No**
  
2. Does your project fall into a behavioral science category?  
**Yes/No**
  
3. Do you have human or animal subjects?  
**Yes/No**
  
4. Can you find at least 3 sources on your topic?  
**Yes/No**
  
5. Is the project challenging enough to work on?  
**Yes/No**
  
6. Can you revise and make changes to your prototype?  
**Yes/No**
  
7. Can you design a solution that is safe to build, use, store, and dispose of? Explain.  
**Yes/No**
  
8. Will you be able to obtain all the supplies and materials you need?  
Can these materials be obtained at a very low cost?  
**Yes/No**
  
9. Can you realistically complete your project in time?  
**Yes/No**
  
10. Will you complete the project with enough time to analyze and present the data for the judges?  
**Yes/No**

11. Will you be able to demonstrate that your design has a reasonable chance of solving the problem?

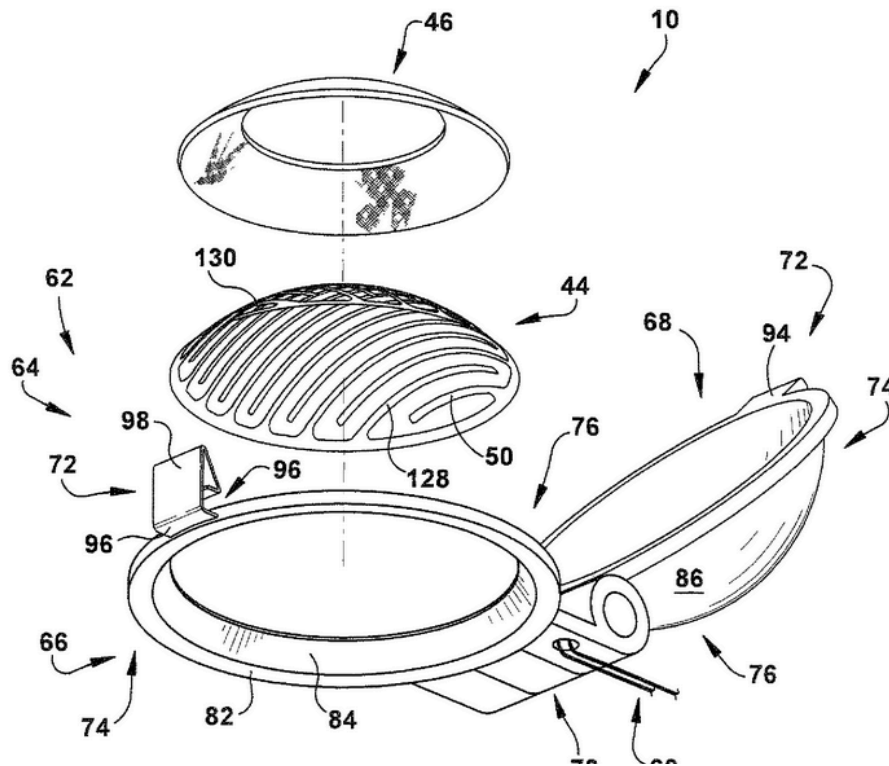
**Yes/No**

I have discussed my project idea and the checklist with my parent(s)/guardian. I am ready to commit and follow through with my engineering project. I have drawn a labeled picture of my prototype.

Student signature: \_\_\_\_\_ Date: \_\_\_\_\_

Parent signature: \_\_\_\_\_ Date: \_\_\_\_\_

Draw a detailed, labeled sketch of your prototype **in your lab notebook**. Use a ruler for labels, draw in pencil, and title it. Try to follow the style of the drawing below adding labels instead of numbers.



Singh, Rishi P., Lvovich, Vadim F., and Davis, Brian L. Apparatus and Method for Delivering a Therapeutic Agent to Ocular Tissue. The Cleveland Clinic Foundation, assignee. Patent US 8311624 B2. 13 Nov. 2012. Print.